

Disassembly of Waste Electrical and Electronic Equipment (WEEE) Manual

EU Waste Electronic and Electrical Equipment Directive require producers to provide information of the different electronic and electrical materials and components found in their products at its end-of-life, and disassembly references to treatment and recycling facilities.

1. Product information
2. Materials and components list for selective treatment
3. Disassembly tools
4. Disassembly references

The following information is intended only for the use of recognized treatment and recycling facilities.

Section 1: Product information

Model name(s)— The product models are group together in series and are mechanically equivalent.

Lexmark CX53x series
CX532adwe, XC2335

Lexmark CX63x series
CX635adwe

Section 2: Materials and components list for selective treatment

Table 2: Materials and components list for selective treatment

| Description | Count | Notes |
|---|----------|---|
| Polychlorinated biphenyls (PCB) containing capacitors | 0 | N/A |
| Mercury containing components, such as switches or backlighting lamps | 0 | N/A |
| Batteries | 1 | ***** <u>Total Count = 1</u> ***** Lithium Manganese Oxide coin cell located on the Controller card |
| Printed circuit boards greater than 10 cm ² | multiple | ***** <u>Minimum Count = 15</u> For details, see Annex B ***** <u>Options:</u> 1 – 550/ 650 Sheet Tray 1 Wireless card ***** |
| Toner cartridges, liquid and pasty, as well as colour toner | 9 | 4 – Toner cartridge 4 – Imaging unit 1 – Waste toner bottle |
| <u>Plastic component(s)</u> that may contain BFR (brominated [§] flame retardants) | multiple | ***** <u>Minimum Count = 22</u> For details, See Annex A ***** <u>Options:</u> <u>+2</u> – for each 550/ 650 Paper handling ***** |
| Note (§) - This product may contain plastic parts with brominated flame retardants. Recycler should treat these parts separately. See section 4.3 Disclaimer. | | |
| Asbestos waste and components which contain asbestos | 0 | N/A |
| Cathode ray tubes | 0 | N/A |
| Chlorofluorocarbons (CFC), Hydrochlorofluorocarbons (HCFC) or Hydrofluorocarbons (HFC), Hydrocarbons (HC) | 0 | N/A |
| Gas discharge lamps | 0 | N/A |
| Liquid Crystal Display (LCD) greater than <u>100 cm²</u> and those back-lighted with Gas discharge lamps | 1 | 1 (depending on model) |
| External electrical cables | 1 | Power cord located on the back lower left quadrant |
| Components containing refractory fibres | 0 | N/A |
| Components containing radioactive substances | 0 | N/A |
| Electrolyte capacitors containing substances of concern (<i>capacitors with height > 25 mm, diameter > 25 mm or proportionately similar volume</i>) | 1 | Capacitor located on Power Supply |
| Electrical and Electronic (EE) Customer Replaceable Paper handling devices | multiple | See Customer Replaceable Paper handling devices For details, See Annex C |
| Electrical and Electronic (EE) Customer Replaceable Internal/External Card options | multiple | See External Card options For details, See Annex D |

Section 3: Common Tools for Disassembly

Table 3.1 - Disassembly tools

| Item | Description |
|-------------|--|
| 1 | #2 Phillips screwdriver, magnetic |
| 2 | Wire cutter |
| 3 | E-clip puller or small flat-head screwdriver |
| 4 | Standard slotted head screwdriver |





Section 4: Disassembly references

4.1 Removal procedure(s)

WEEE materials and components removal procedures are available upon request.

Please Contact: recycling@lexmark.com

4.2 Graphical illustration of material's and component's location

-  LCD > 100 cm²
-  PCBs > 10 cm²
-  Printer components containing Brominated flame retardants
-  Battery

Please note: Graphic illustrations contained in this document may differ slightly from actual components

4.3 Disclaimer

Statement on WEEE Bromine Levels

Manufacturer is compliant with the European Directive 2012/19/EU and European Commission's mandated technical specification CLC/TS 50625-3-1:2015 stating that plastic containing brominated flame retardants (BFR) must be removed from any separately collected WEEE (Article 8, Annex VII) if total bromine concentration in the fraction is known to be >2000 ppm, or expected to be >2000 ppm, or if it is not declared. Concentrations of bromine <2000 ppm are acceptable for reuse and do not require separation, so that the re-use and recycling of components or whole appliances is not hindered per Annex II, Section 3 of the WEEE Directive (2002/96/EU), and Annex VII, Section 3 of the WEEE Directive (2012/19/EU).

Section 5: Supplies

- LCD > 100 cm²
- PCBs > 10 cm²
- Printer components containing Brominated flame retardants
- Battery



Figure 5.1: Toner Cartridge

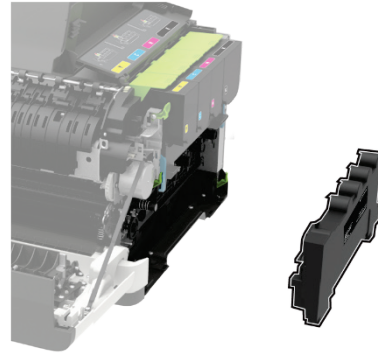


Figure 5.2: Waste toner bottle

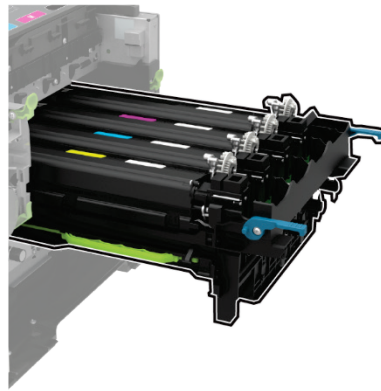


Figure 5.3: Imaging Unit

Table 5: Supplies – Printed Circuit Boards >10cm² and Plastic with Brominated flame retardants

| Item | Description |
|--|-------------|
| -- | None |
| Table Component Count (without options) | |
| LCD>100cm ² | = 0 |
| PCBs>10cm ² | = 0 |
| BFR Plastics | = 0 |
| Battery | = 0 |

Section 6: Control Panel

- LCD > 100 cm²
- PCBs > 10 cm²
- Printer components containing Brominated flame retardants
- Battery

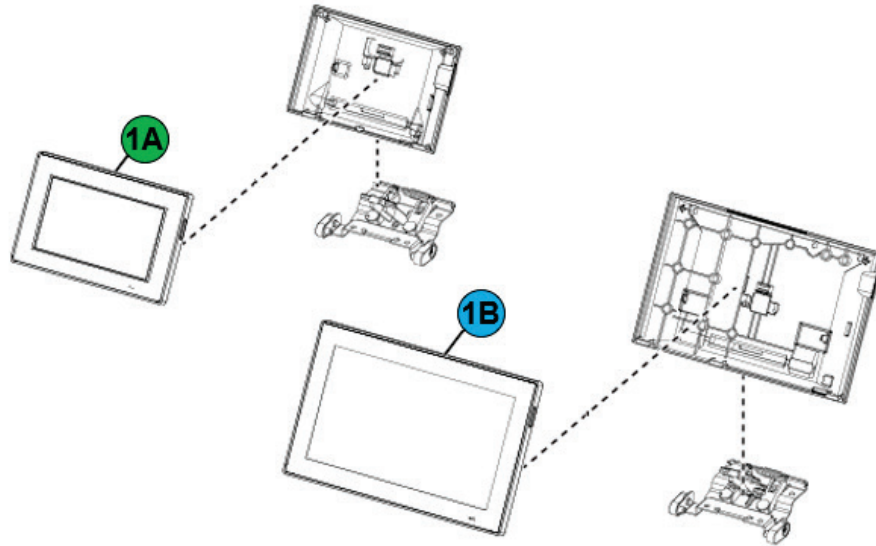


Figure 6.1: Control Panel

Table 6: Control Panel - Printed Circuit Boards >10cm² and Plastic with Brominated flame retardants

| Item | Description |
|------|---|
| 1A | 4.3 in. Control panel display assembly UICC board |
| 1B | 7 in. Control panel display assembly UICC board |

Table Component Count (without options)

LCD>100cm² = 1

PCBs>10cm² = 1

BFR Plastics = 0

Battery = 0

Section 7: Imaging ADF

- LCD > 100 cm²
- PCBs > 10 cm²
- Printer components containing Brominated flame retardants
- Battery

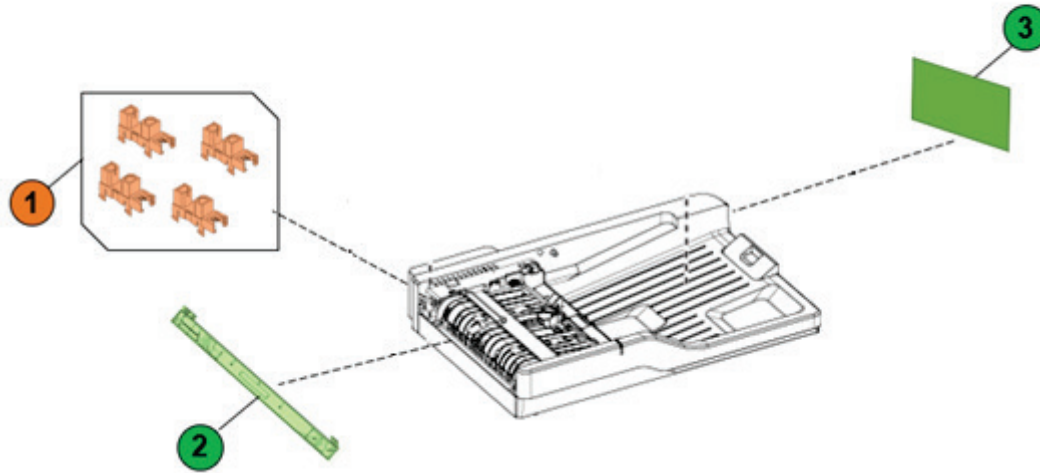


Figure 7.1: Imaging ADF

Table 7: Imaging ADF - Printed Circuit Boards >10cm² and Brominated Plastic Components

| Item | Description |
|------|--|
| 1 | ADF sensors (photo) x 4 |
| 2 | ADF CIS Scanbar PCBA within the ADF assembly |
| 4 | ADF Card within the ADF assembly |

Table Component Count (without options)

LCD>100cm² = 0
 PCBs>10cm² = 2
 BFR Plastics = 4
 Battery = 0

Section 8: Flatbed scanner

- LCD > 100 cm²
- PCBs > 10 cm²
- Printer components containing Brominated flame retardants
- Battery

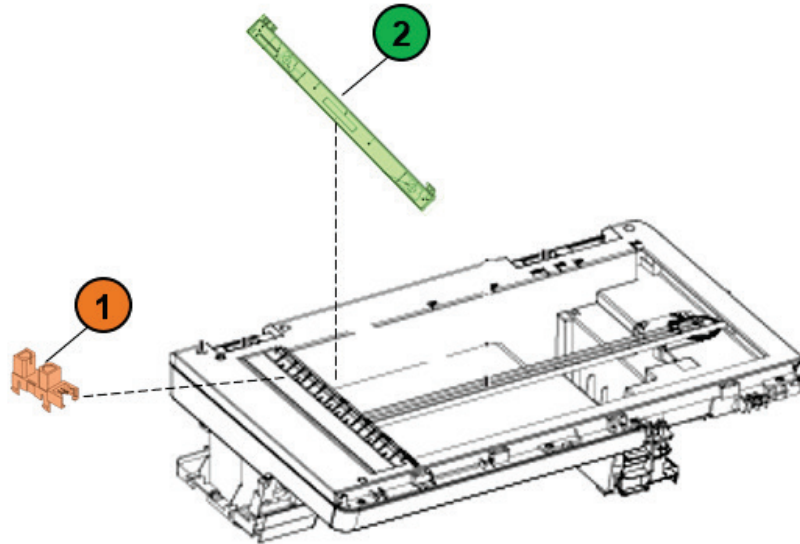


Figure 8.1: Imaging ADF

Table 8: Flatbed scanner - Printed Circuit Boards >10cm² and Plastic with Brominated flame retardants

| Item | Description |
|------|---|
| 1 | Image sensor within Flatbed scanner assembly |
| 2 | CIS Scanbar PCBA within Flatbed scanner frame |

Table Component Count (without options)

LCD>100cm² = 0
 PCBs>10cm² = 1
 BFR Plastics = 1
 Battery = 0

Section 9: EP components

- LCD > 100 cm²
- PCBs > 10 cm²
- Printer components containing Brominated flame retardants
- Battery

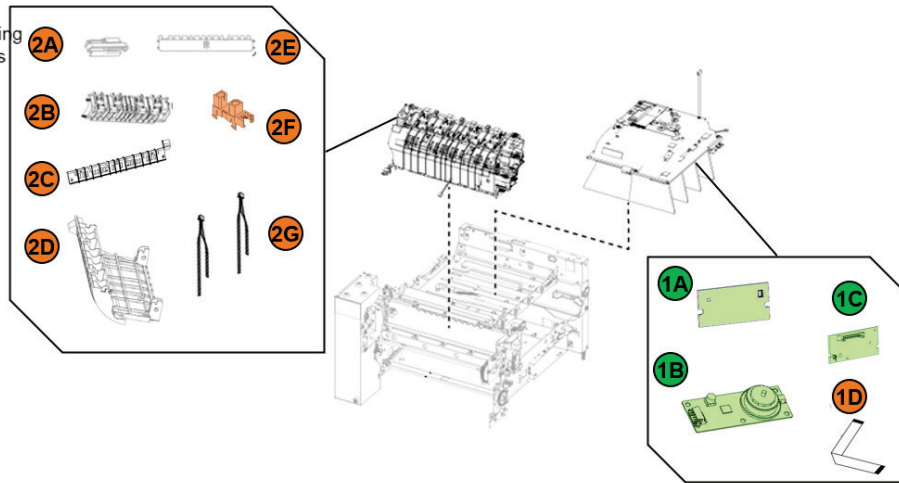


Figure 10.1: EP Components

Table 10: EP Components - Printed Circuit Boards >10cm² and Plastic with Brominated flame retardants

| Item | Description |
|------|-----------------------------|
| 1A | Printhead motor driver PCBA |
| 1B | Printhead Motor PCBA |
| 1C | Printhead Laser driver PCBA |
| 1D | Printhead Tape |
| 2A | HOUSING-HEATER AC CONNECTOR |
| 2B | GUIDE - INNER EXIT |
| 2C | GUIDE - OUTER EXIT |
| 2D | GUIDE - DUPLEX |
| 2E | GUIDE - ENTRY |
| 2F | Sensor (Photo) |
| 2G | Sensor (Thermistor) 2x |

Table Component Count (without options)

LCD>100cm² = 0
 PCBs>10cm² = 3
 BFR Plastics = 9
 Battery = 0

Section 10: Electronics

- LCD > 100 cm²
- PCBs > 10 cm²
- Printer components containing Brominated flame retardants
- Battery

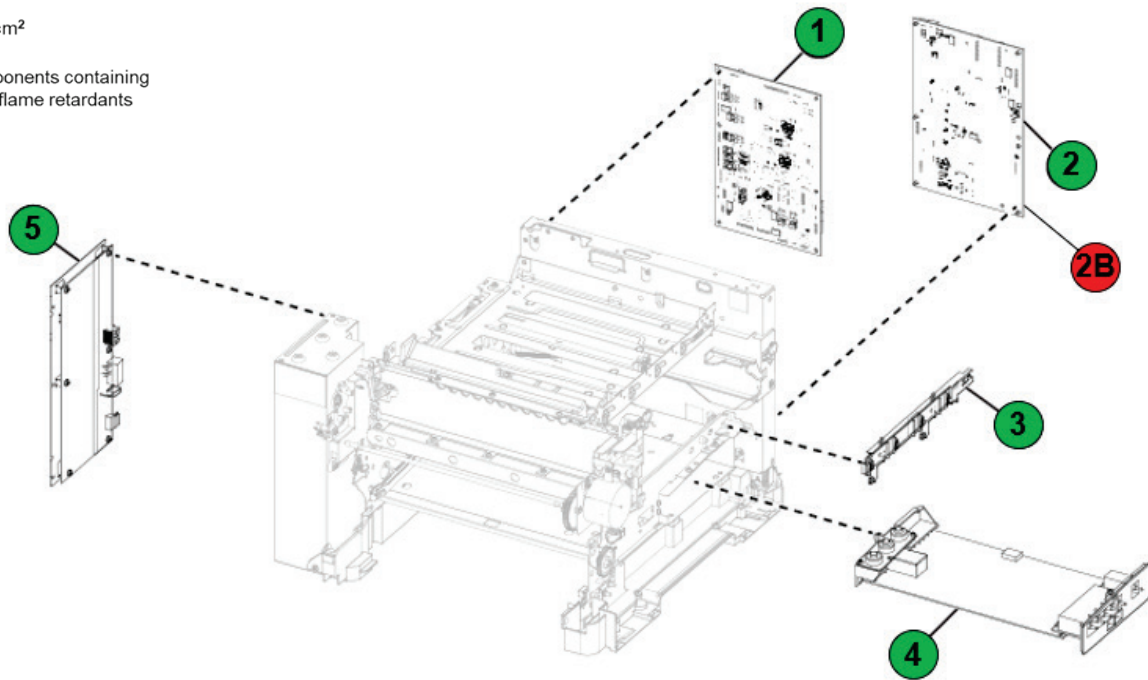


Figure 10.1: Electronics

Table 9: Electronics - Printed Circuit Boards >10cm² and Plastic with Brominated flame retardants

| Item | Description |
|------|------------------|
| 1 | Engine board |
| 2 | Controller board |
| 2B | Battery |
| 3 | Toner meter card |
| 4 | HVPS |
| 5 | LVPS |

Table Component Count (without options)

LCD>100cm² = 0
 PCBs>10cm² = 5
 BFR Plastics = 0
 Battery = 1

Section 11: Motors

- LCD > 100 cm²
- PCBs > 10 cm²
- Printer components containing Brominated flame retardants
- Battery

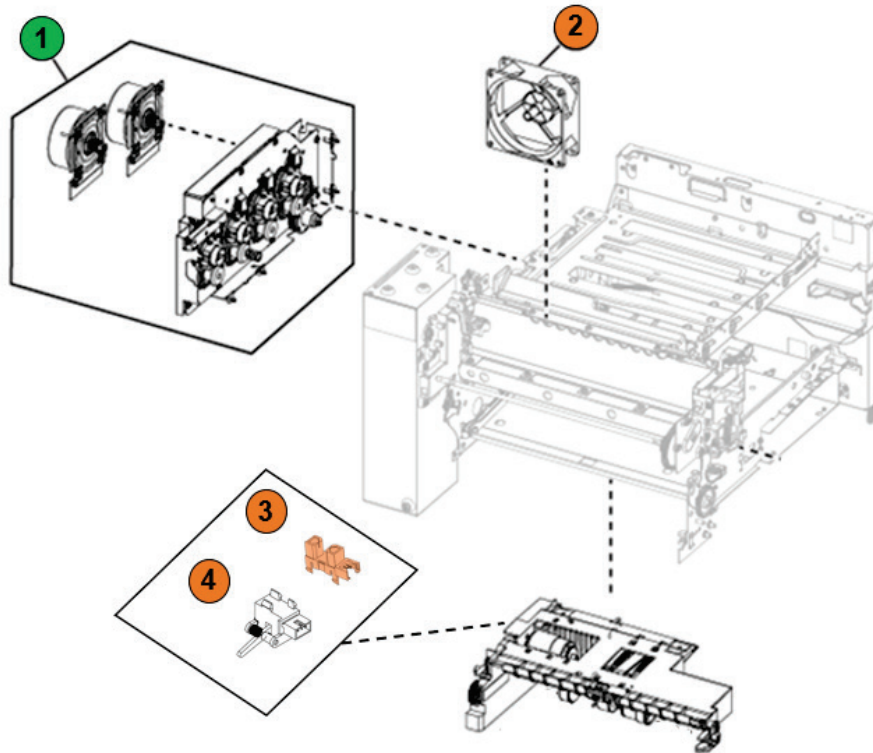


Figure 11.1: Motors

Table 11: Motors - Printed Circuit Boards >10cm² and Plastic with Brominated flame retardants

| Item | Description |
|------|--------------------|
| 1 | EP Drive motors 2x |
| 2 | Fan |
| 3 | Sensor (Photo) |
| 4 | Sensor (staging) |

Table Component Count (without options)

LCD>100cm² = 0
 PCBs>10cm² = 2
 BFR Plastics = 3
 Battery = 0

Section 12: Sensors

- LCD > 100 cm²
- PCBs > 10 cm²
- Printer components containing Brominated flame retardants
- Battery

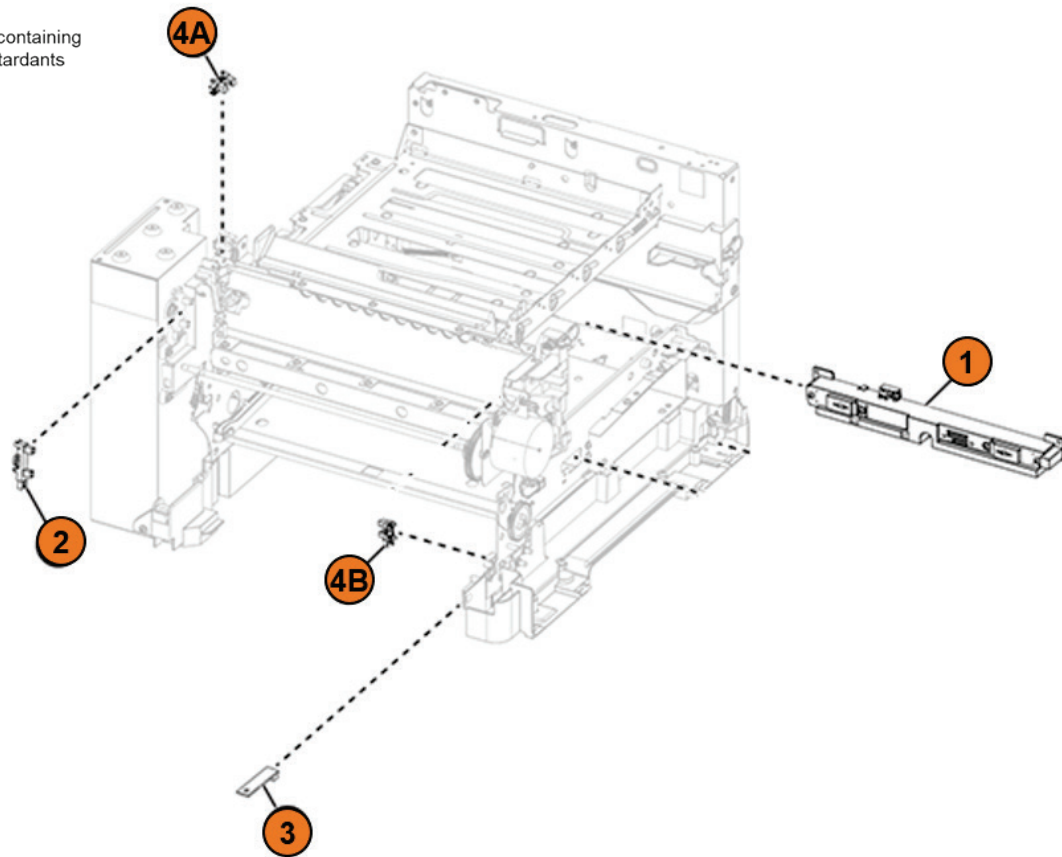


Figure 12.1: Sensors

Table 12: Sensors - Printed Circuit Boards >10cm² and Plastic with Brominated flame retardants

| Item | Description |
|------|---------------------------------|
| 1 | Sensor (toner patch) |
| 2 | Sensor (fuser exit) |
| 3 | Weather station |
| 4A | Photo sensors: |
| 4B | Sensors (duplex) |
| | Sensors (narrow media/bin full) |

Table Component Count (*without options*)

LCD>100cm² = 0
 PCBs>10cm² = 0
 BFR Plastics = 5
 Battery = 0

Section 13: For Reference Only (Customer Replaceable Paper handling devices)

- LCD > 100 cm²
- PCBs > 10 cm²
- Printer components containing Brominated flame retardants
- Battery



Figure 13.1: Customer Replaceable Paper Handling Devices

Table 13: For Reference Only (Customer Replaceable Paper Handling Devices)

| Item | Description |
|------|---------------------------|
| 1 | 650-sheet duo tray |
| 2 | 550-sheet tray |
| 3 | Adjustable printer stand* |
| 4 | Swivel cabinet* |

Options marked with (*) are non-Electrical and electronic units

Section 14: 550/650 Handling Options

- LCD > 100 cm²
- PCBs > 10 cm²
- Printer components containing Brominated flame retardants
- Battery

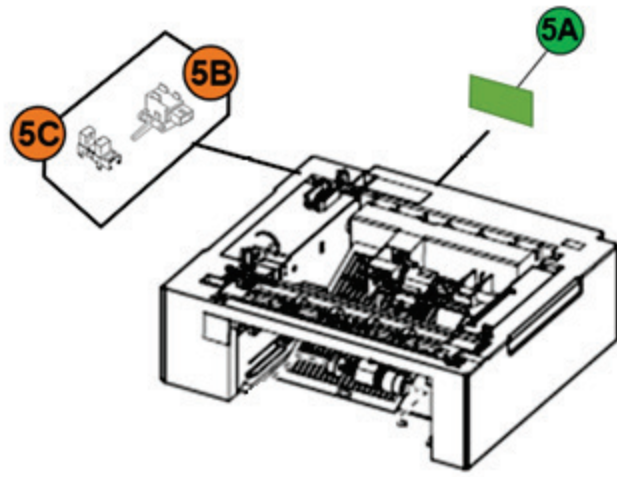


Figure 14.1: 550/650 Paper Handling Options

Table 14: 250/550 Paper Handling Options - Printed Circuit Boards >10cm² and Plastic with Brominated flame retardants

| Item | Description |
|------|---|
| 5A | PHO card |
| 5B | Sensor – Staging within the assembly |
| 5C | Sensor – PHOTOINTERRUPTER within the assembly |

Table Component Count (*without options*)

LCD>100cm² = 0
 PCBs>10cm² = 0
 BFR Plastics = 0
 Battery = 0

Section 15: Electronic options

- LCD > 100 cm²
- PCBs > 10 cm²
- Printer components containing Brominated flame retardants
- Battery

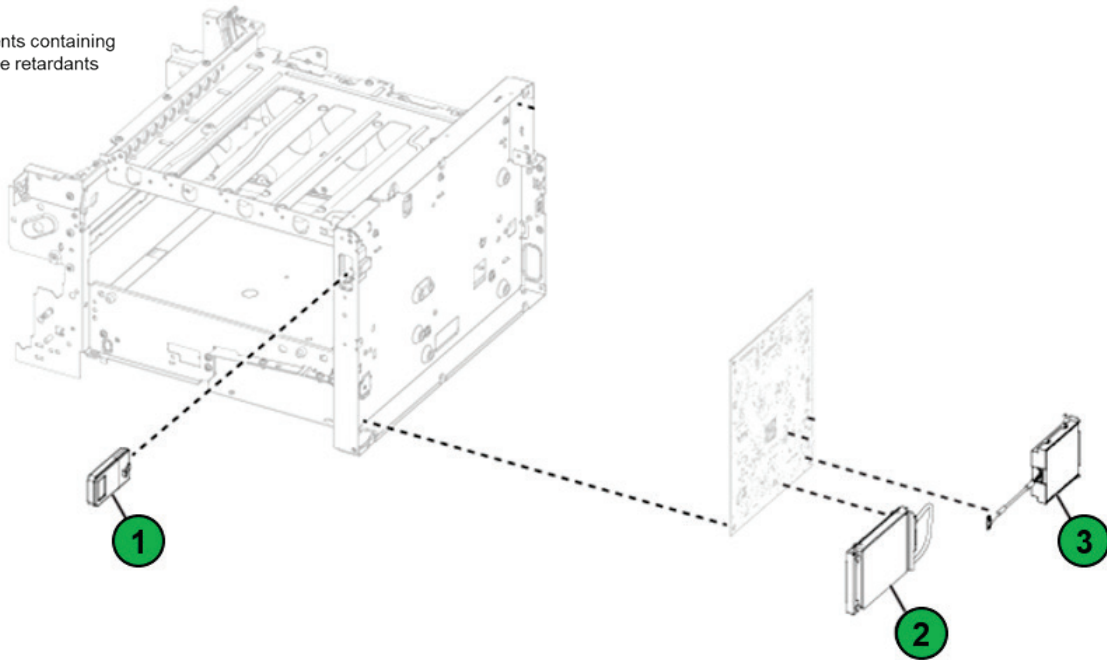


Figure 15.1: Electronic options

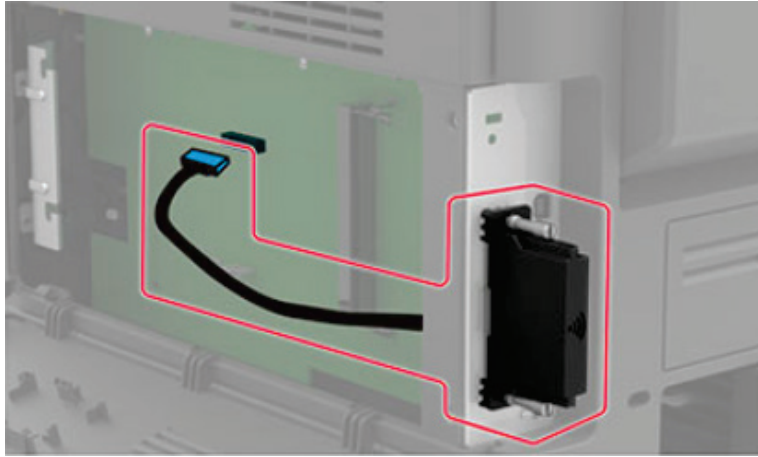
Table 14: Electronic options - Printed Circuit Boards >10cm² and Plastic with Brominated flame retardants

| Item | Description |
|------|--------------------------|
| 1 | Wireless card (optional) |
| 2 | Hard drive (optional) |
| 3 | Fax card |

Table Component Count (*without options*)

LCD>100cm² = 0
 PCBs>10cm² = 1
 BFR Plastics = 0
 Battery = 0

Section 15: For Reference Only (Customer Replaceable External Card Options)



External Print Servers²

Note 1: Illustration shows actual options and their typical locations and mounting at the front side of the printer. However, this does not show the actual printer model.

Note 2: Illustration shows actual options and their typical locations and mounting at the rear side of the printer. However, this does not show the actual printer model.

Annex A – Printer components with Brominated^S Flame Retardants

| Item | Description | Parts Marking | Qty | CX53x | CX63x | Location |
|--|-----------------------------|-------------------------|-----------|----------|----------|--------------------------------------|
| 1 | ADF sensors (photo) | N/A | 4 | X | X | Imaging ADF |
| 2 | Image sensor | N/A | 1 | X | X | Flatbed scanner |
| 3 | HOUSING-HEATER AC CONNECTOR | PBT-GF15 FR(17) | 1 | X | X | EP Components |
| 4 | GUIDE - INNER EXIT | PET-(GF+MD)40 FR(17) | 1 | X | X | EP Components |
| 5 | GUIDE – OUTER EXIT | PET-(GF+MD)40 FR(17) | 1 | X | X | EP Components |
| 6 | GUIDE – DUPLEX | PET-(GF+MD)40 FR(17) | 1 | X | X | EP Components |
| 7 | GUIDE – ENTRY | PET-(GF+MD)40 FR(17) | 1 | X | X | EP Components |
| 8 | Printhead tape | N/A | 1 | X | X | EP Components |
| 9 | Sensor(Photo) | N/A | 1 | X | X | EP Components |
| 10 | Sensor (Thermistor) | N/A | 2 | X | X | EP Components |
| 11 | Fan | N/A | 1 | X | X | Motors |
| 12 | Sensor (Photo) | N/A | 1 | X | X | Motors |
| 13 | Sensor (Staging) | N/A | 1 | X | X | Motors |
| 14 | Sensor (Toner patch) | N/A | 1 | X | X | Sensors |
| 15 | Sensor (fuser exit) | N/A | 1 | X | X | Sensors |
| 16 | Weather station | N/A | 1 | X | X | Sensors |
| 17 | Photo sensors | N/A | 2 | X | X | Sensors |
| 18 | Sensor – Staging | N/A | 1 | Optional | Optional | 550/ 650 option tray |
| 19 | Sensor – PHOTOINTERRUPTER | N/A | 1 | Optional | Optional | 550/ 650 option tray |
| Minimum Count (without options) = | | | 22 | | | |

Annex B – Printed Circuit Boards >10cm²

| Item | Description | Qty | CX53x | CX63x | Location |
|--|--|-----------|----------|----------|--|
| 1A | 4.3-in Control panel display assembly UICC board | 1 | X | | Control panel |
| 1B | 7-in Control panel display assembly UICC board | 1 | | X | Control panel |
| 2 | ADF CIS Scanbar PCBA within the ADF assembly | 1 | X | X | Imaging ADF |
| 3 | ADF Card within the ADF assembly | 1 | X | X | Imaging ADF |
| 4 | CIS Scanbar | 1 | X | X | Flatbed scanner |
| 5 | Printhead motor driver PCBA | 1 | X | X | EP components |
| 6 | Printhead Motor PCBA | 1 | X | X | EP components |
| 7 | Printhead Laser driver PCBA | 1 | X | X | EP components |
| 8 | Engine board | 1 | X | X | Electronics |
| 9 | Controller board | 1 | X | X | Electronics |
| 10 | Toner meter card | 1 | X | X | Electronics |
| 11 | HVPS | 1 | X | X | Electronics |
| 12 | LVPS | 1 | X | X | Electronics |
| 13 | EP drive motor | 2 | X | X | Motors |
| 14 | 550 or 650 PHO card | 1 | Optional | Optional | 550/650 Handling Options |
| 15 | Wireless card (optional) | 1 | Optional | Optional | Electronic options |
| 16 | Hard drive (optional) | 1 | Optional | Optional | Electronic options |
| 17 | Fax card | 1 | X | X | Electronic options |
| Minimum Count (without options) = | | 15 | | | |

Annex C – Electrical and Electronic (EE) Customer Replaceable Paper handling devices

| Item | PN | Description | CX53x, XC2335, CX63x | Locations |
|------|---------|--------------------|-------------------------|--|
| 1 | 42C7650 | 650-sheet duo tray | X | Paper handling devices |
| 2 | 42C7550 | 550-sheet tray | | |

Annex D – Electrical and Electronic (EE) Customer Replaceable Internal/ External Card Options

| Item | PN | Description | CX53x, XC2335, CX63x | Locations |
|------|---------|-------------|-------------------------|---|
| 1 | 57X9801 | Hard drive | X | Attached to Controller board |
| 2 | 27X6410 | Wireless | X | |