



Disassembly of Waste Electrical and Electronic Equipment (WEEE) Manual

EU Waste Electronic and Electrical Equipment Directive require producers to provide information of the different electronic and electrical materials and components found in their products at its end-of-life, and disassembly references to treatment and recycling facilities.

The disassembly information for this product has been prepared for use by a recognized treatment or recycling facility and is not intended to be used by others.

1. Product information
2. Materials and components list for selective treatment
3. Disassembly tools
4. Disassembly references

The following information is intended only for the use of treatment and recycling facilities.

All disassembly instructions should be performed with the power switch in the OFF position. Disconnect the power cord from the wall outlet and from the printer before continuing. If there are any other devices attached to the printer, then turn them off as well, and unplug any cables going into the printer.

1. Product information

Model name(s)—Indicate all model name(s) within the product family

Model name
Lexmark X746de
Lexmark X748 series – Lexmark X748de (Lexmark XS748de), X748dte

* Add rows as needed

2. Materials and components list for selective treatment

Items	Quantity	Notes
Polychlorinated biphenyls (PCB) containing capacitors	0	N/A
Mercury containing components, such as switches or backlighting lamps	0	N/A
Batteries	1	Lithium Manganese Dioxide coin cell located on the system controller card
Printed circuit boards greater than 10 cm ²	10	For Lexmark X748dte (locations illustrated in 4.2) – 9 for Lexmark X748de – 8 for Lexmar X746de
Toner cartridges, liquid and pasty, as well as colour toner	4 Toner cartridge; 1 Waste toner bottle	Toner cartridges located inside Front cover Waste toner located below toner cartridges

Plastic containing brominated flame retardants	3 Fans; 20 Sensors; 4 Fuser parts	Fan(s) and Sensors (locations illustrated in 4.2) Plastic parts located in the fuser assembly marked with recycle code that includes "FR17" or FR"16"
Asbestos waste and components which contain asbestos	0	N/A
Cathode ray tubes	0	N/A
Chlorofluorocarbons (CFC), Hydrochlorofluorocarbons (HCFC) or Hydrofluorocarbons (HFC), Hydrocarbons (HC)	0	N/A
Gas discharge lamps	0	N/A
Liquid Crystal Display (LCD) greater than 100 cm ² and those back-lighted with Gas discharge lamps	1	LCD located inside OP panel
External electrical cables	1	Power cord located on the back lower left quadrant
Components containing refractory fibres	0	N/A
Components containing radioactive substances	0	N/A
Electrolyte capacitors containing substances of concern ¹	2	Capacitor(s) located on Power Supply (locations illustrated in 4.2)

¹ With (height > 25 mm, diameter > 25 mm or proportionately similar volume)

3. Disassembly tools

Item
#2 Phillips screwdriver, magnetic
Wire cutter
E-clip puller or small flat-head screwdriver
Standard slotted head screwdriver

4. Disassembly references

4.1. Removal procedure(s)



X74xWEEE removal

WEEE materials and components removal procedures are available upon request.

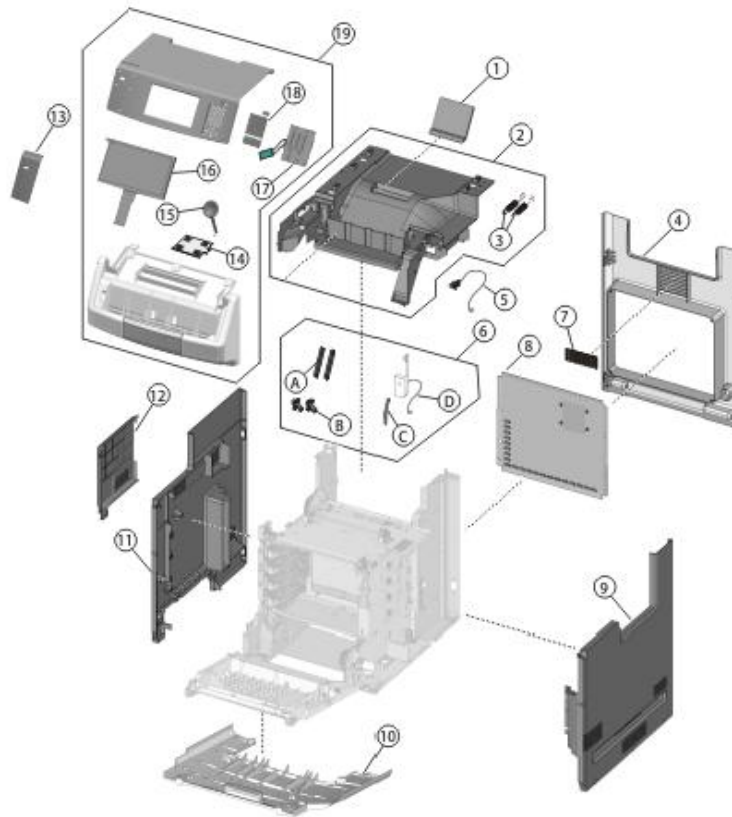
Contact: recycling@lexmark.com

4.2. Graphical illustration of material's and component's location

See next page

X74x Series Location

Right

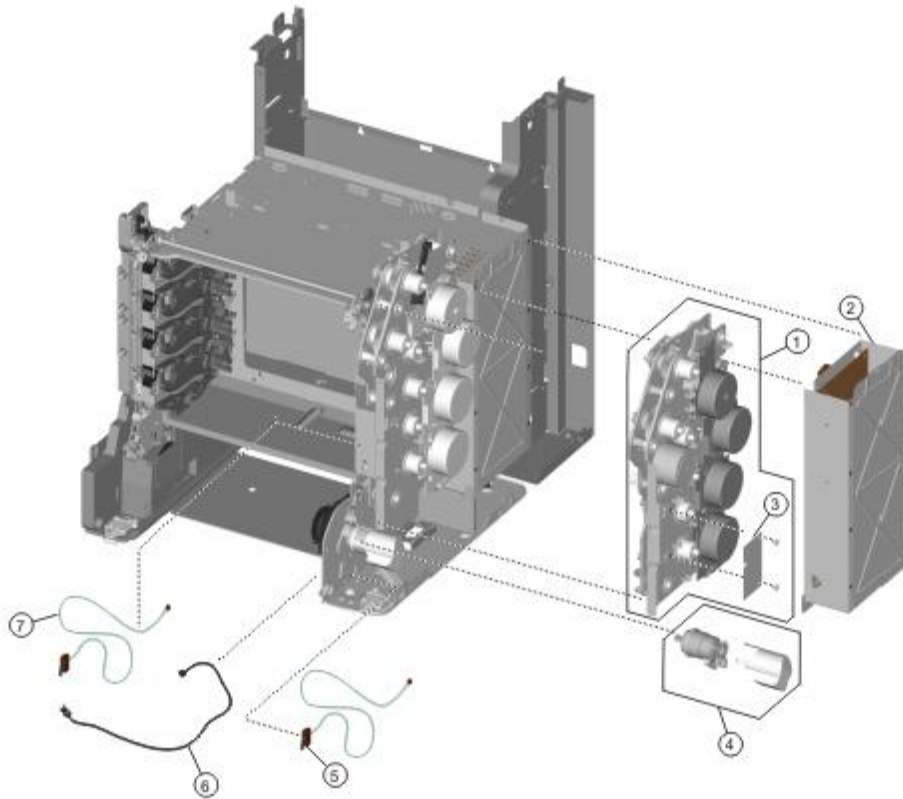


Index	Description
1	Output bin extension cover
2	Top cover assembly, including top access cover springs
3	Top access cover springs
4	Pear cover
5	Bin full sensor with cable
6	Top access cover parts package, including: A—Link (top access cover) (2) B—Link (top cover) (2) C—Top access cover links (slider cam) (1) D—Bin full sensor with cable and flag (1)
7	Cooling fan filter
8	Pear frame cover
9	Right cover
10	Front access door cover assembly

Index	Description
11	Left cover
12	Left door cover
13	Operator panel bezel, X746de
13	Operator panel bezel, X748de
14	LCD bracket assembly
15	Speaker
16	7 inch LCD touch screen
17	UICC and interface card
18	Parts pack (operator panel buttons)
19	Top access cover assembly

X74x Series Location

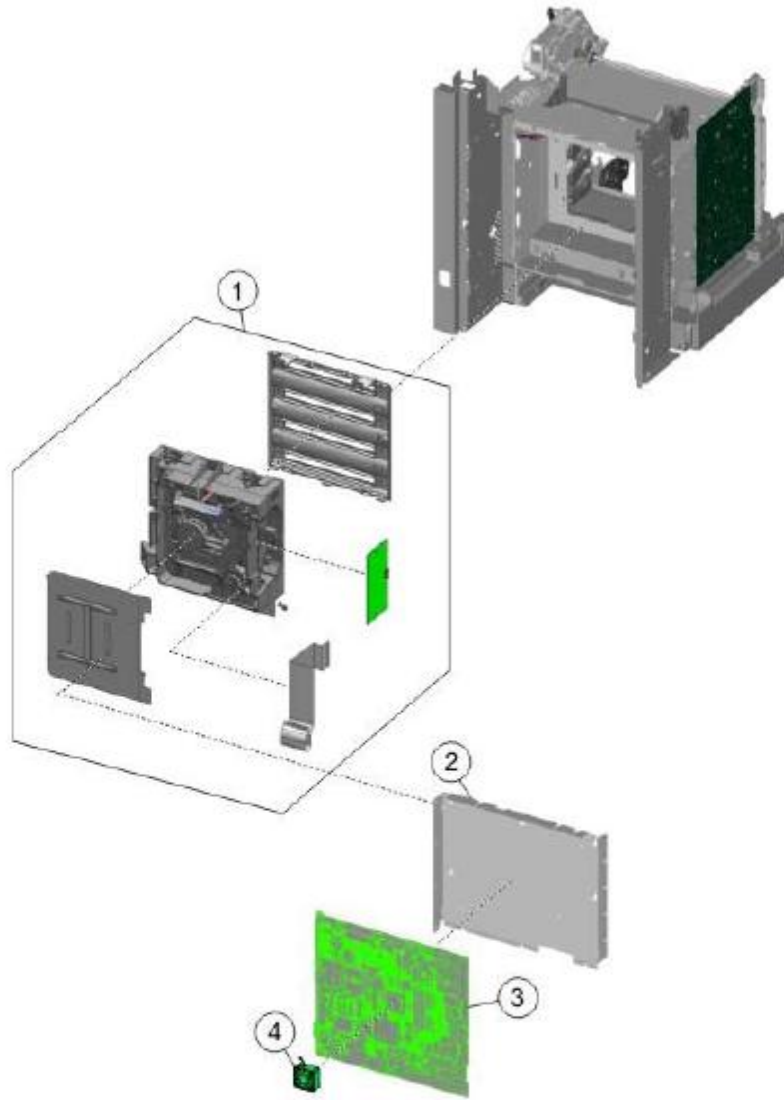
Right



Index	Description
1	EP drive assembly
2	Low-voltage power supply
3	Motor driver card
4	MP feeder/duplex motor
5	24 V interlock switch
6	MPF paper present sensor with cable
7	5 V interlock switch

X74x Series Location

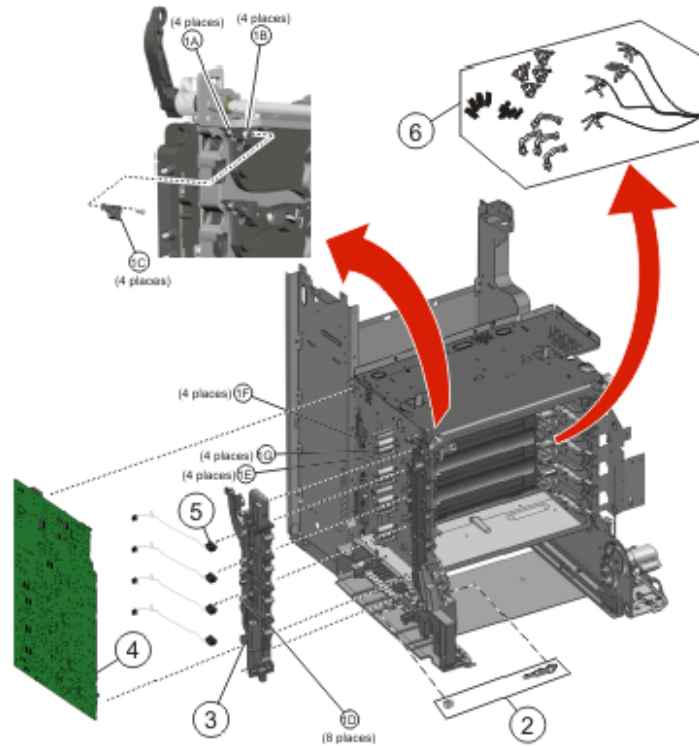
Rear



Index	Description
1	Printhead assembly
2	System board support shield
3	System board
4	CPU fan

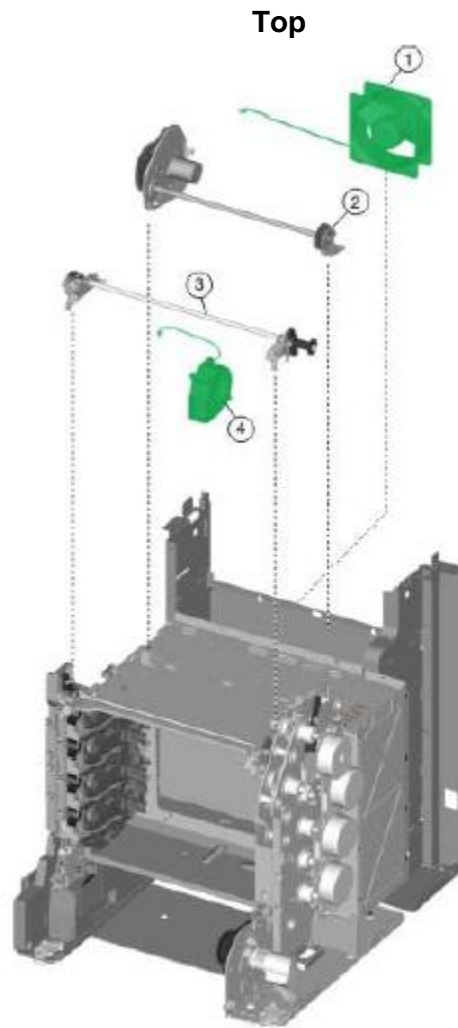
X74x Series Location

Left



Index	Description
1	Contact springs kit includes the following: A—Torsion PCD contact spring B—Torsion CR contact spring C—Contact spring cap D—Charge roll contact spring E—HVPS TAR contact spring F—HVPS doctor/developer contact spring G—HVPS Db contact spring Screw
2	Auger shaft and gear parts pack
3	Waste toner HV contact assembly
4	High-voltage power supply
5	Toner level sensor
6	Toner cartridge contacts

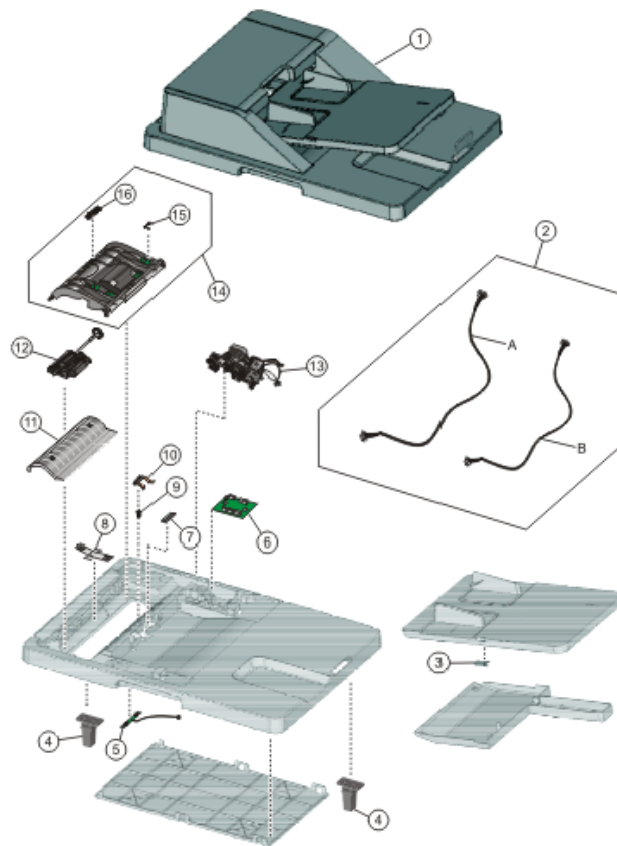
X74x Series Location



Index	Description
1	Cooling fan
2	Color-On-Demand assembly
3	Top cover camshaft assembly
4	Cartridge cooling fan

X74x Series Location

Automatic Document Feeder (ADF)

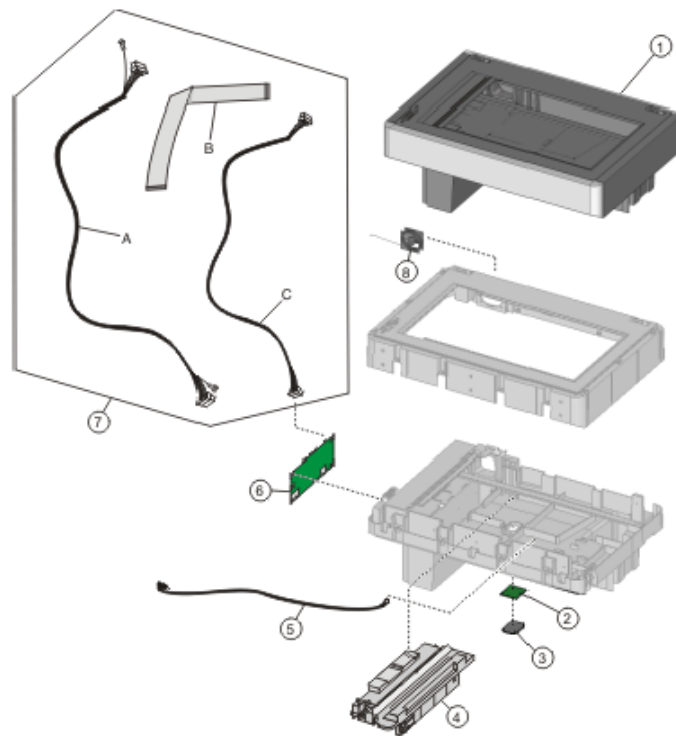


Index	Description
1	ADF, complete
2	Parts packet—cables (40X5217) A—ADF input tray cable B—ADF case cable Note: Additional cables listed in assembly 10 (5 total).
3	Paper present LED card
4	ADF hinge (left or right)
5	ADF exit sensor with cable
6	Scanner ICC card
7	ADF pick pad
8	ADF static ground brush

Index	Description
9	Separator pad spring
10	ADF separator pad
11	ADF upper case cover
12	ADF pick roll assembly
13	ADF motor gear train assembly
14	ADF front case assembly
15	ADF cover open flag
16	ADF skew card

X74x Series Location

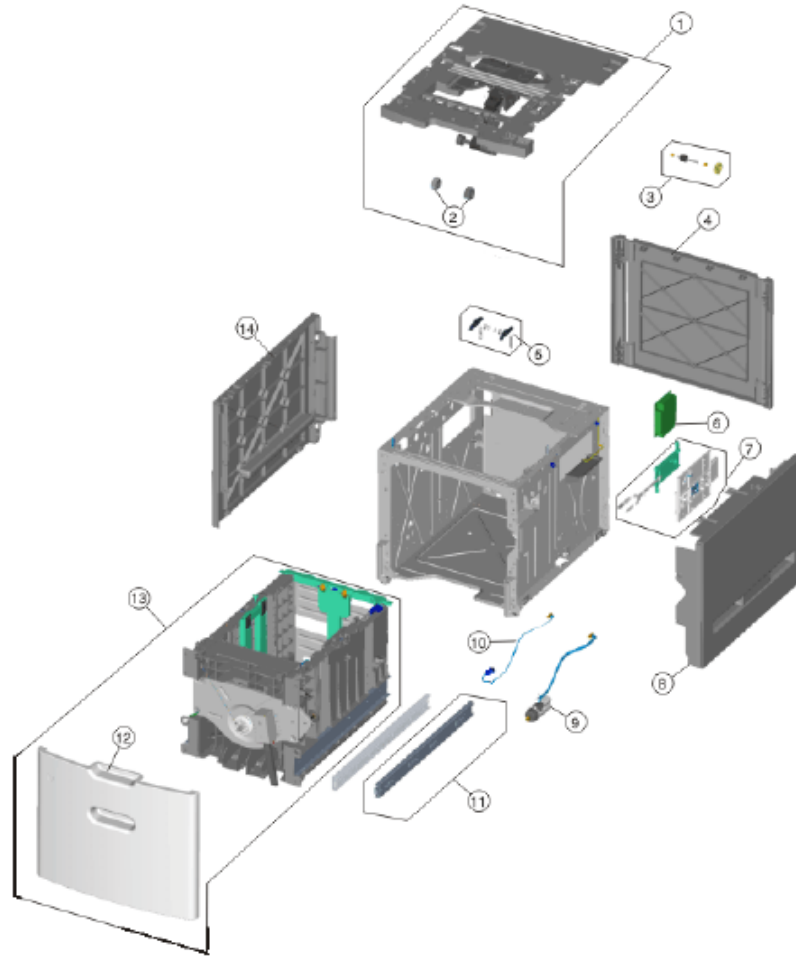
Flatbed Scanner



Index	Description
1	Flatbed scanner, complete
2	Cave LED card
3	Flatbed cave LED cover (clear)
4	Flatbed CCD carrier module, including lamp assembly
5	Carriage transport belt with clip
6	Scanner MDC card
7	Flatbed cooling fan
8	Parts packet, cables) A—ADF cable B—Scanner to system board flat cable C—Scanner to system board cable Note: Additional cables listed in assembly 8 (5 total).

X74x Series Location

HCIT Electronics



Index	Description
1	Top plate assembly
2	HCIT pick tire
3	Feed with bushing
4	HCIT rear cover
5	Tray latch with spring
6	HCIT controller card assembly
7	Slide assembly with springs

Index	Description
8	HCIT right cover
9	Elevator motor with sensor
10	Photointerrupter sensor with cable assembly
11	HCIT drawer slide assembly
12	HCIT front tray cover
13	HCIT paper drawer tray assembly
14	HCIT left cover

Appendix A
Plastic containing brominated flame retardants

Part Description	Parts Marking	Location
BEARING – DEVELOPER ROLL DS	PC-(GF30+PTFE15) FR(16)	FUSER AREA
GUIDE (MECHANICAL) – Lower	PET-(GF+MD)40 FR(17)	FUSER AREA
GUIDE (MECHANICAL) – Upper	PET-(GF+MD)40 FR(17)	FUSER AREA
BLADE – ENTRY GUIDE INSULATION	PET-(GF+MD)40 FR(17)	FUSER AREA